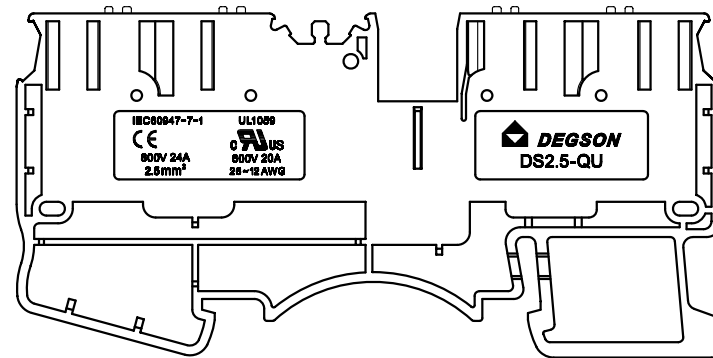
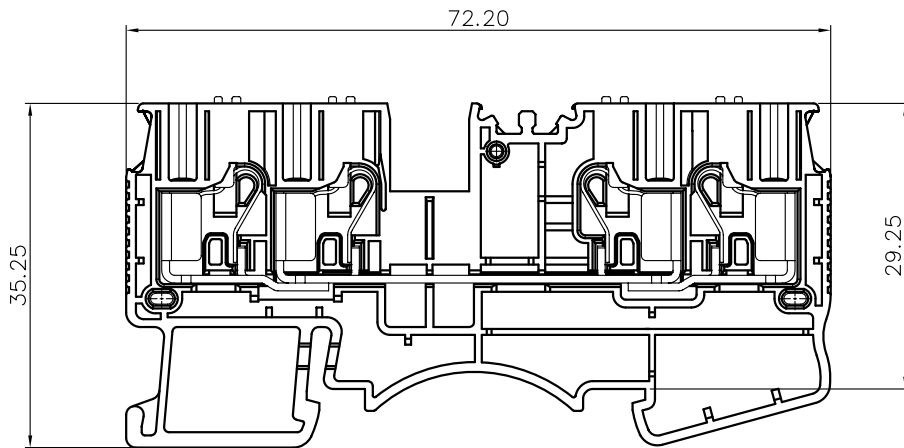


REVISION RECORD				
REV	ECN	DESCRIPTION	DRFT	DATE



DS2.5-QU - 01P - 1Y - 00A (H)
 (Series No.) (Poles) (Single Pitch) (Color): 1.(Grey) 6.(Red)
 2.(Blue) 7.(Transparent)
 3.(Black) 8.(Yellow)
 4.(Green) 9.(White)
 5.(Orange)



NOTES1:

UL Standard

- 1.Rated Voltage/Current : 600V / 20A
- 2.Withstanding Voltage : AC2200V/1Min.
- 3.Wire Range : 26~12AWG

IEC Standard

1. Pollution Degree	3
Overvoltage Category	III
Rate Impulse Voltage(KV)	8.0KV
Rate Voltage(V)	800V
Rate Current(A)	24A

2.Wire Range : 0.2~2.5mm²

NOTES2:

- 1.Dimension shall be interpreted per ASME Y14.5-2009
- 2.Pitch : 5.2mm, Poles : 01P
- 3.Stripping length : 9~10mm
- 4.Operating temperature: -40°C~+105°C
- 5.Undimensioned tolerances:

Pitch range in mm		Nominal dimension range in mm					—	∩	∇
TO	Over	Over	Over	Over	Over	Over	0.1/10	∠	
6	6	10	10	30	60	100			
6	±0.15	±0.20	±0.30	±0.30	±0.50	±0.70	±1.00	±1.30	±2'

6.RoHS Compliance

DETACHED LISTS	PART NO.:	宁波高松电子有限公司 NINGBO DEGSON ELECTRICAL CO., LTD			
	APPD:	NAME: DS2.5-QU-01P-1Y-00A(H)			
	CHKD:	TITLE: CUSTOMER DRAWING		REV	DO
	DRFT:	DRAWING NO.:		SHEET	1/1
THIRD ANGLE PROJECTION		MM (INCH)	DO NOT SCALE DRAWING	SCALE	1:1