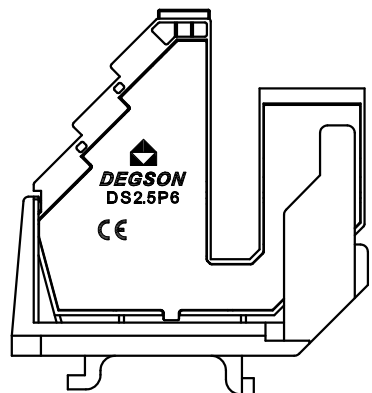
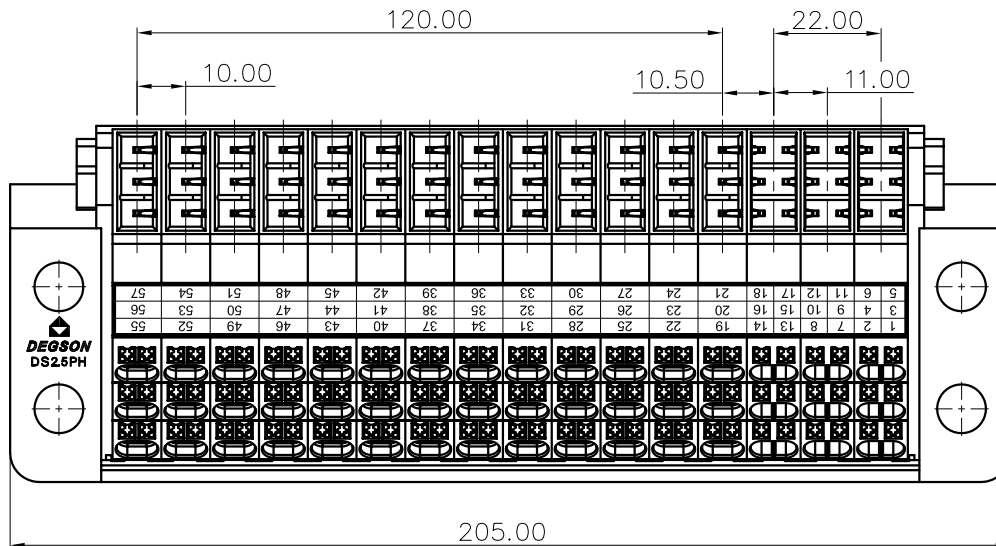


REVISION RECORD				
REV	ECN	DESCRIPTION	DRFT	DATE



VIEW B



NOTES1:

- UL Standard
- 1.Rated voltage/current : 300V / 13A
- 2.Withstanding voltage : AC1600V/1Min.
- 3.Wire range : 24~16AWG,14AWG(Sol)

IEC Standard

1. Pollution degree	2	2	3
Overtoltage category	II	III	III
Rate impulse voltage(KV)	4KV	4KV	4KV
Rate voltage(V)	630V	320V	250V
Rate current(A)	20A		

- 2.Wire range : 0.2~2.5mm<sup>2</sup>

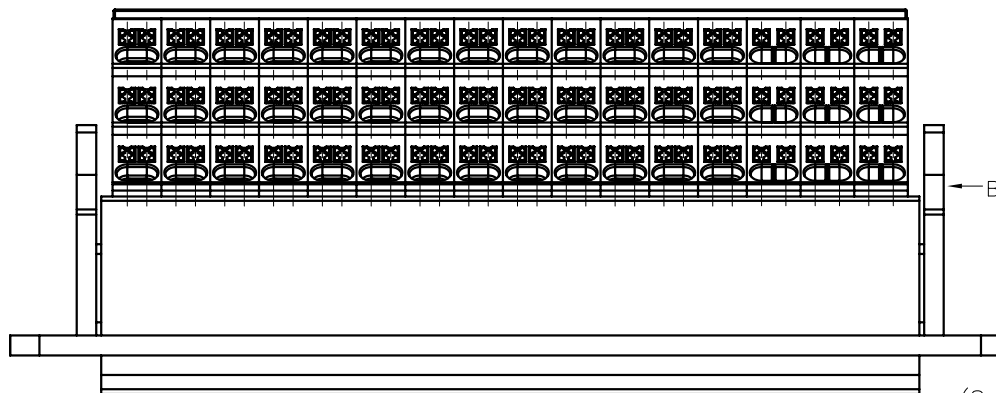
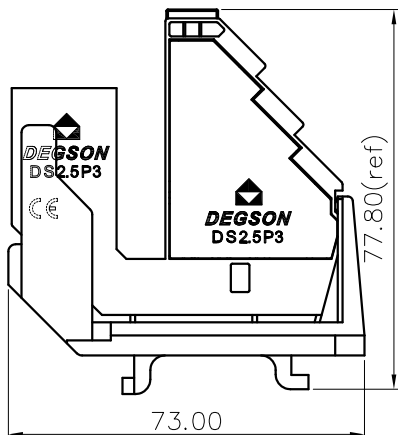
NOTES2:

- 1.Dimension shall be interpreted per ASME Y14.5-2009
- 2.Pitch : 10.0/11.0mm, Poles : N=16P
- 3.Stripping length : 14mm
- 4.Operating temperature: -40°C~+80°C
- 5.Undimensioned tolerances:

Pitch range in mm		Nominal dimension range in mm					0.1/10
TO	Over TO	TO	Over TO	Over TO	Over TO		
6	10	24	30	60	100	150	
±0.15	±0.20	±0.30	±0.30	±0.50	±0.70	±1.00	
						±1.30	
						±2'	

6.RoHS Compliance

DS2.5PH - 16P - 11 - 00A (H)  
 (Series No.) (Poles) (Single Pitch) (Color):1.(Grey)  
 (RoHS)  
 00A-(Standard)



DETACHED LISTS	PART NO.:	/		
	APPD:	/		
	CHKD:	/		
	DRFT:	/		
	THIRD ANGLE PROJECTION			
NAME:		宁波高松电子有限公司 NINGBO DEGSON ELECTRICAL CO., LTD		
TITLE:		CUSTOMER DRAWING		
DRAWING NO.:		/		
DO NOT SCALE DRAWING		REV	D0	
MM (INCH)		SHEET	1/1	
SCALE		1:1		