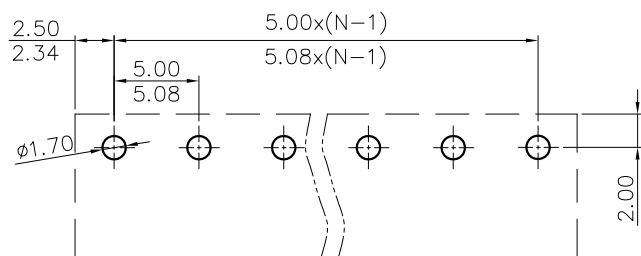
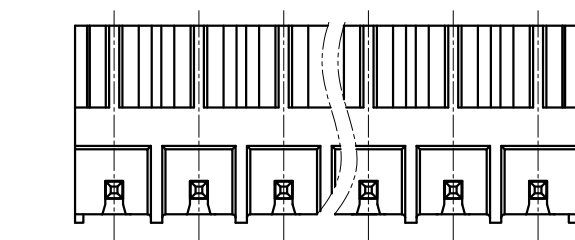
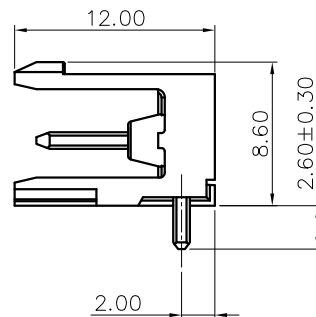
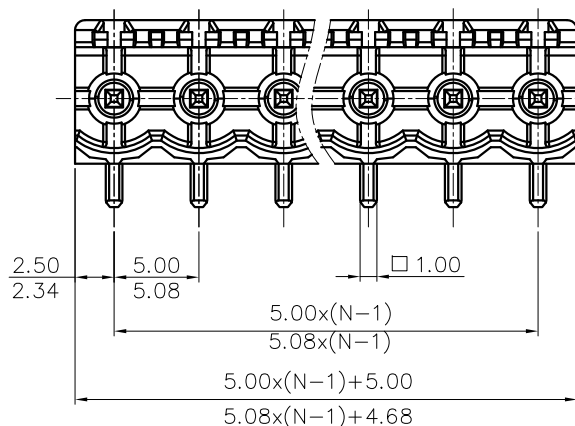
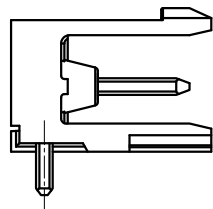
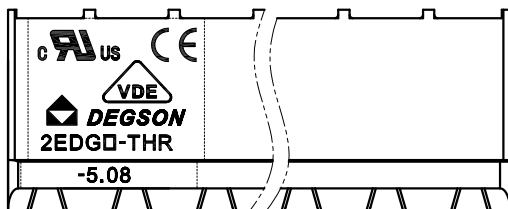


REVISION RECORD				
REV	ECN	DESCRIPTION	DRFT	DATE



PCB LAYOUT

NOTES1:

UL Standard

1. Rated voltage/current : 300V / 15A
2. Withstanding voltage : AC1600V/1Min.

IEC Standard

1. Pollution degree	3
Overtoltage category	III
Rate impulse voltage(KV)	4.0KV
Rate voltage(V)	320V
Rate current(A)	20A

NOTES2:

1. Dimension shall be interpreted per ASME Y14.5-2009
2. Pitch : 5.00/5.08mm, Poles : N=02~12P
3. Operating temperature: -40°C~+130°C
4. Undimensioned tolerances:

Pitch range in mm		Nominal dimension range in mm					0.1/10
TO	Over	TO	Over	TO	Over	TO	
6	10	6	10	30	60	100	150
±0.15	±0.20	±0.30	±0.30	±0.50	±0.70	±1.00	±1.30
							±2°

5. RoHS Compliance

2EDGR-THR - 5.00/5.08 - XXP - 1Y - 00A (H)
 (Series No.) (Pitch) (Poles) (Single Pitch) (Color): 1.(Grey) 3.(Black) 5.(Orange)
 (RoHS) 00A-(Standard)

DETACHED LISTS	PART NO.:	/			
	APPD:	/			
	CHKD:	/			
	DRFT:	/			
		<p>THIRD ANGLE PROJECTION</p>		<p>MM (INCH)</p>	
		DO NOT SCALE DRAWING		REV	DO
		DRAWING NO.:		SHEET	1/1
		SCALE		1:1	

宁波高松电子有限公司
 NINGBO DEGSON ELECTRICAL CO., LTD

NAME:
 2EDGR-THR-5.00/5.08-XXP-1Y-00A(H)

TITLE: CUSTOMER DRAWING

SCALE: 1:1