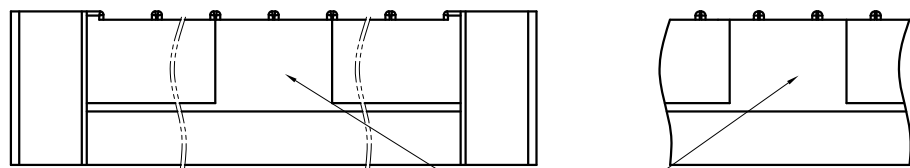


REVISION RECORD				
REV	ECN	DESCRIPTION	DRFT	DATE



The pad is positioned centrally above the existing positions.

NOTES1:

- UL Standard
- 1. Rated voltage/current : 300V / 8A
- 2. Withstanding voltage : AC1600V/1Min.

IEC Standard

1.

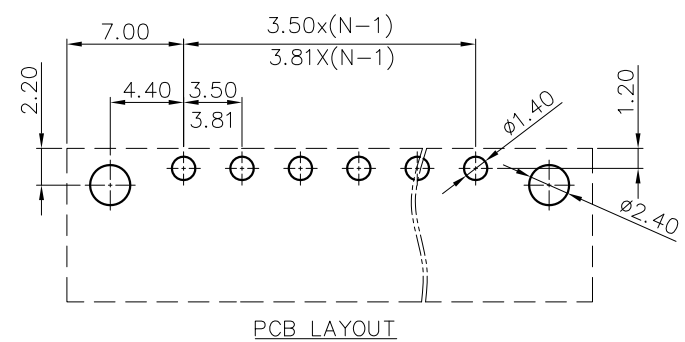
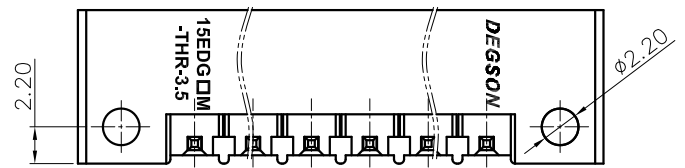
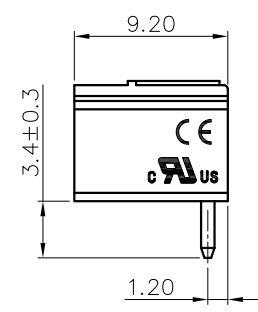
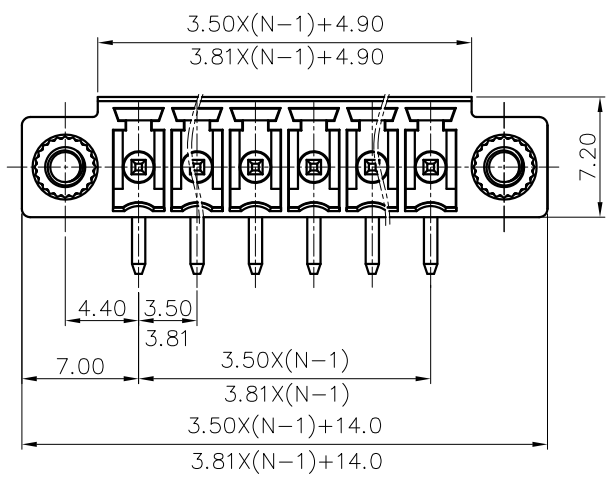
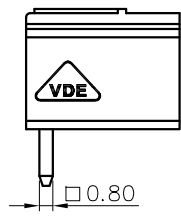
Pollution degree	2
Overtoltage category	II
Rate impulse voltage(kV)	2.5KV
Rate voltage(V)	250V
Rate current(A)	8A

NOTES2:

- 1. Dimension shall be interpreted per ASME Y14.5-2009
- 2. Pitch : 3.5/3.81mm, Poles : N=02~12P/02~13P
- 3. Operating temperature: -40°C~+130°C
- 4. Undimensioned tolerances:

Pitch range in mm		Nominal dimension range in mm					Tolerances	
TO	Over TO	Over TO	TO	Over TO	Over TO	Over TO	0.1/10	∠
6	6 TO 10	10 TO 24	30	30 TO 60	60 TO 100	100 TO 150	0.1/10	∠
±0.15	±0.20	±0.30	±0.30	±0.50	±0.70	±1.00	±1.30	±2°

5. RoHS Compliance



15EDGRM-THR - 3.5/3.81 - XXP - 1Y - 00A (H)  
 (Series No.) (Pitch) (Poles) (Single Pitch) (Color): 1.(Grey) 3.(Black) 5.(Orange)  
 (RoHS) 00A-(Standard)

DETACHED LISTS	PART NO.:	/			
	APPD:	/			
	CHKD:	/			
	DRFT:	/			
		 THIRD ANGLE PROJECTION		 DO NOT SCALE DRAWING	
		DRAWING NO.:		REV	DO
		/		SHEET	1/1
		MM (INCH)		SCALE	1:1

宁波高松电子有限公司  
 NINGBO DEGSON ELECTRICAL CO., LTD

NAME:  
 15EDGRM-THR-3.5/3.81-XXP-1Y-00A(H)

TITLE: CUSTOMER DRAWING

SCALE: 1:1