

REVISION RECORD

REV	ECN	DESCRIPTION	DRFT	DATE
-----	-----	-------------	------	------

NOTES1:

UL Standard

1. Rated Voltage/Current : 300V / 8A
2. Withstanding Voltage : AC1600V/1Min.
3. Wire Range : 28~16AWG

IEC Standard

1. Pollution Degree	3
Overvoltage Category	II
Rate Impulse Voltage(KV)	2.5KV
Rate Voltage(V)	250V
Rate Current(A)	12A

2. Wire Range : 0.2~1.5mm²

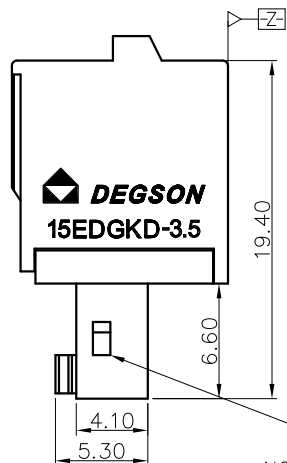
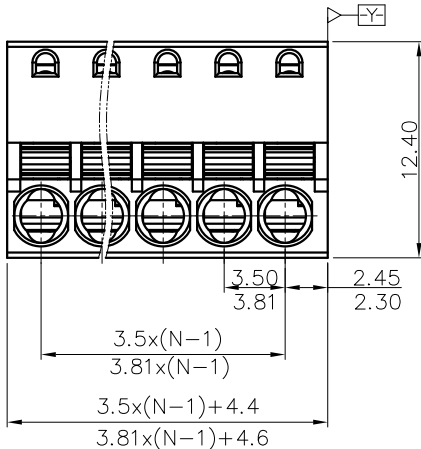
NOTES2:

1. Dimension shall be interpreted per ASME Y14.5-2009
2. Pitch : 3.50/3.81mm, Poles : N=2-24P
3. Stripping length : 8.0mm
4. Operating temperature: -40°C~+105°C
5. Undimensioned Tolerances:

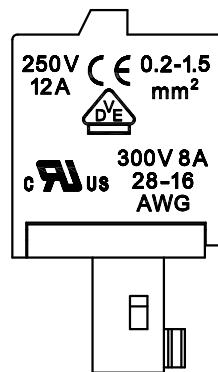
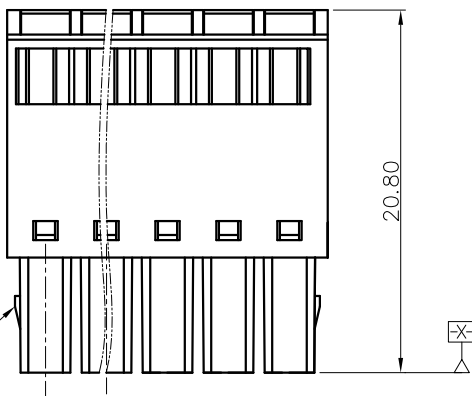
Pitch range in mm		Nominal dimension range in mm						
TO	Over TO	Over TO	Over TO	Over TO	Over TO	Over TO	0.1/10	∠
6	6 TO 10	10 TO 24	30 TO 60	60 TO 100	100 TO 150	150	<	
	±0.15	±0.20	±0.30	±0.50	±0.70	±1.00	±1.30	±2'

6. RoHS Compliance

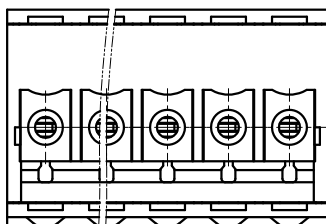
H
G
F
E
D
C
B
A



NOTE: 2-6P With drill hole,
7-24P without drill hole



15EDGKD - 3.5/3.81 - XXP - 1Y - 00A (H)
 (Series No.) (Pitch) (Poles) (Single Pitch) (Color): 1.(Grey) 2.(Blue) 3.(Black) 4.(Green) 5.(Orange) 6.(Red) 7.(Transparent) 8.(Yellow) 9.(White)



DETACHED LISTS	PART NO.:	NINGBO DEGSON ELECTRICAL CO., LTD			
	APPD:	NAME: 15EDGKD-3.5/3.81-XXP-1Y-00A(H)			
	CHKD:	TITLE: CUSTOMER DRAWING		REV	DO
	DRFT:	DRAWING NO.:		SHEET	1/1
THIRD ANGLE PROJECTION		MM (INCH)	DO NOT SCALE DRAWING	SCALE	1:1

H
G
F
E
D
C
B
A