

POWER UNIT

HP 50-1 POWER UNIT

The HP50-1 is a compact power unit designed to serve one static eliminator.

The HP50-1 produces high voltage, low current in a controlled and safe way to provide the power for Fraser AC High Performance static eliminators working on 5.5 kV and 6 kV.

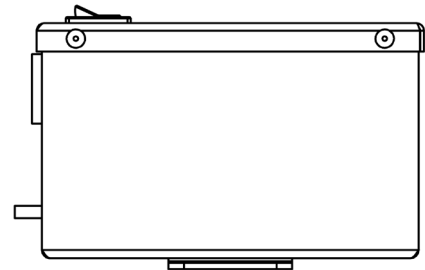
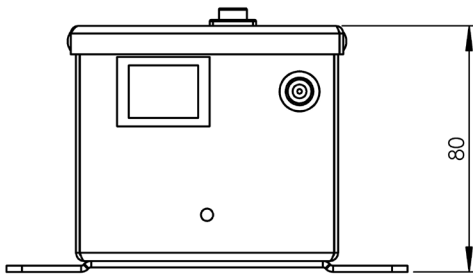
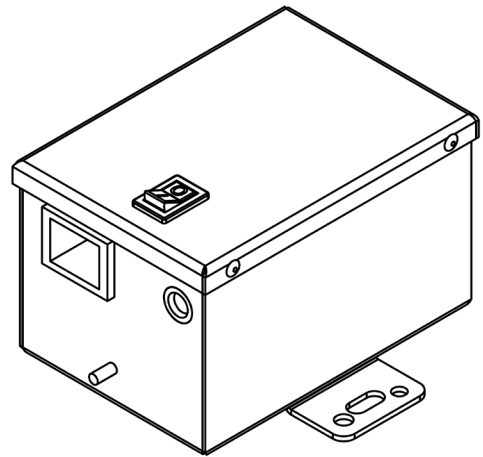
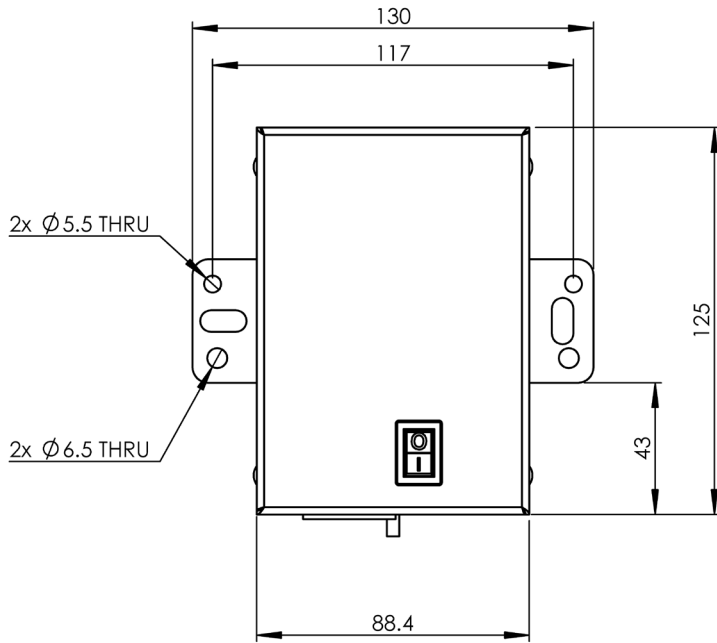
- > Compact size makes it especially suitable for small machines.
- > The flat wave form of the high voltage combines high performance with low stress for long term reliability.
- > On-off switch is standard.



Specification

Construction:	Powder coated steel case. Transformer with fully encapsulated windings.
Input:	115 V or 230V, 50/60 Hz. Please specify frequency (Hz) as well as input voltage. IEC 320 Socket with 2 m cable is supplied.
Output:	6 kV with maximum peak voltage of 7.76 kV. Secondary current limited to 5 mA.
Maximum Load:	10 m of combined Bar and HT cable.
Environment:	50° maximum temperature. 70% rH non-condensing max. Location should be dry and oil free.
Safety:	The design is current limited to 5 mA. If more than 5 mA current is drawn the transformer is designed to shut down. Power will restart when the excessive load or fault is removed.

Dimensions:



HP50_1_DS_Iss3