

660



880



SPECIAL RFID TAG SMARTWAVE LABELS

APPLICATIONS

- Indoor Device ULD Identification
- Office Equipment
- RTI Management
- Retail and Warehousing
- On Metal Asset Tracking

FEATURES

- Robust White PET Material
- Up to 8 Meters Reading Range
- High performance acrylic adhesive optimized for metal and painted metal surfaces

RFID OPTIONS

- UHF: ISO 18000-63, EPC Class 1 Gen2
- 865 – 868 MHz (EU); 902 – 928 MHz (US)

PRODUCT DESCRIPTION

The Smartwave 660 and 880 labels are flexible and printable RFID label and are compatible with metal and liquid-rich environment. Its thin and light shape makes them easy to attach to curved surfaces such as cylinders, pipes, and metal containers and fixed assets. Widely used in product certification asset tracking, logistics tracking, anti counterfeiting of valuables, and medical asset management, to improve the operational efficiency and inventory management for manufacturers and retailers.

The integrated RFID UHF reader supports ISO 18000-63, EPC Class 1 Gen2 in the frequency areas 865 – 868 MHz (EU); 902 – 928 MHz (US). Smartwave 660 achieves a reading range of up to 6 meters and Smartwave 880 up to 8 meters.

Its robust IP67 white PET material has a good resistance against motor oils, salt water, sulfuric acid, sodium hydroxide and shocks and falls from a height of up to 1.2 meters.

Optionally we offer a printing of your logo or name. We can encode your RFID tags using Standard, NDEF or Crypto-Coding.

TECHNICAL DATA

ELECTRICAL SPECIFICATIONS

Operating Frequency	UHF: 865 – 868 MHz (EU) 902 – 928 MHz (US)
RF Protocol	ISO 18000-63, EPC Class 1 Gen2
Chip Type	Impinj Monza R6-P
Memory Configuration	128/96-EPC Bits extensible to 480 Bits 64/32 User Bits 48 Bit Unique TID
Reading Range	<u>Smartwave 660</u> On-Metal: Up to 6 Meters* Off-Metal: Up to 4 Meters* <u>Smartwave 880</u> On-Metal: Up to 8 Meters* Off-Metal: Up to 6 Meters*
Polarization	Linear

ENVIRONMENTAL SPECIFICATIONS

Operating Temperature	- 40 °C to + 85 °C
Survivability Temperature	- 40 °C to + 85 °C
Protection Class	IP 67 (20 °C, 0.5 m, 2 h)
Humidity	5% to 95% non-condensing
Shock & Vibration	MIL STD 810-G
Drop Specifications	Multiple drops to concrete: 1.2 m across the operating temperature range
Withstands exposure to	<ul style="list-style-type: none">• Motor oil• Salt water (salinity 15%)• Sulfuric acid (10%, pH 2)• NaOH (10%, pH 13)

MECHANICAL SPECIFICATIONS

Dimensions	<u>Smartwave 660</u> 60 × 25 (±1) × 1.2 mm ±0.1 <u>Smartwave 880</u> 80 × 25 (±1) × 1.2 mm ±0.1
Weight	<u>Smartwave 660</u> Unit: 0.85 g Roll (500 pcs): 0.53 kg <u>Smartwave 880</u> Unit: 1.12 g Roll (500 pcs): 0.71 kg
Housing Material	PET
Housing Colour	White
Mounting Options	<u>Adhesive Fixing</u> <ul style="list-style-type: none">• VHB Tape• Silicone sealants• Epoxy <u>Others</u> <ul style="list-style-type: none">• Moulding embedded• Heat-shrinkable tubing

APPLICABLE STANDARDS

RoHS 2	EC Guideline 2011/65/EU and amendment 2015/863/EU, updated by 2017/2102/EU EN 50581:2012 (valid till 2024-07-07) EN 63000:2018
REACH	EU Guideline 1907/2006, updated by 2020/171/EU
Certificates	CE, FCC

*READING DISTANCE DEPENDS ON ANTENNA AND ENVIRONMENTAL CONDITIONS.

AVAILABLE ICs

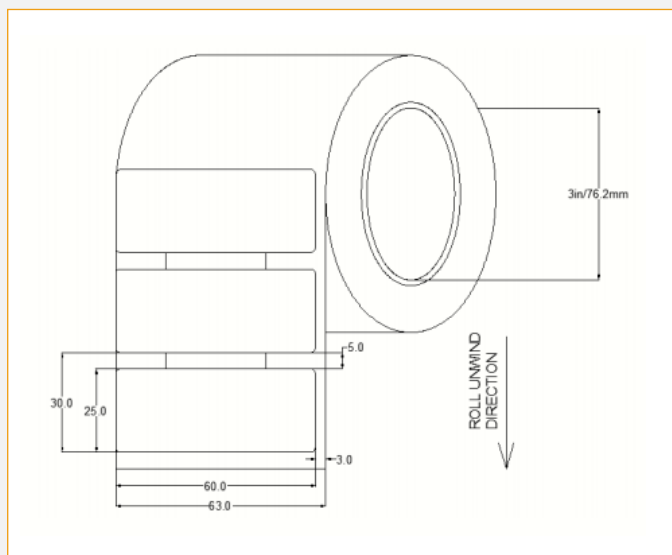
UHF: 865 – 868 MHz (EU) | 902 – 928 MHz (US)

IC TYPE	MEMORY	MODE
Impinj Monza R6-P	64/32 bits	EPC Global Gen2 ISO/IEC 18000-63

PERSONALIZATION OPTIONS

- Self-Adhesive Sticker
- Encoding (Standard / NDEF / Crypto Encoding)

MECHANICAL VIEW



ORDER CODES

VERSIONS	ORDER CODES
Smartwave 660	
EU: 865 – 868 MHz	HCT-F0200-EU
US: 902 – 928 MHz	HCT-F0200-US
Smartwave 880	
EU: 865 – 868 MHz	HCT-F0100-EU
US: 902 – 928 MHz	HCT-F0100-US

iDTRONIC GmbH
Ludwig-Reichling Straße 4
67059 Ludwigshafen
GERMANY

Phone +49 (0) 621 66 90 09 4-0
Fax +49 (0) 621 66 90 09 4-9
E-Mail: info@idtronic-rfid.com
Web: idtronic-rfid.com

For further information & prices, please contact info@idtronic-rfid.com

Subject to alteration without prior notice
©2020 iDTRONIC GmbH