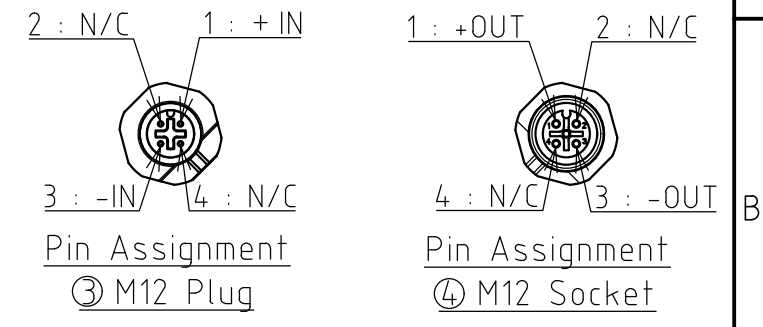
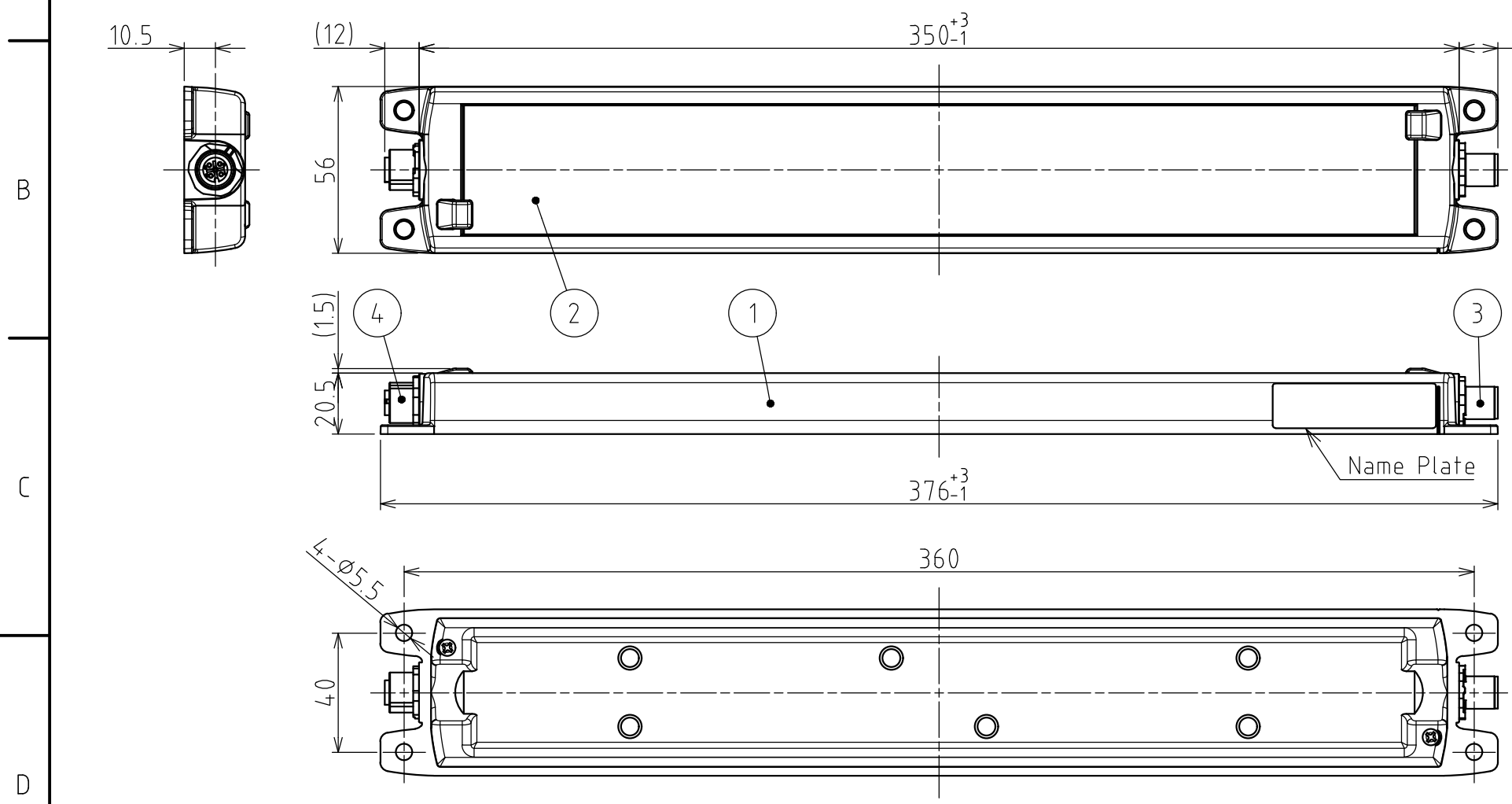


SPECIFICATIONS

[General Specifications]

Product Name		LED Work Light	
Model		CLK3CL-24SG	CLK3CL-24SA
Color Code		CD	
Luminous Color		Daylight	
Color Temperature (typ.)		6500 K	
Illuminance (typ.) (Center, at 24V DC)	1.0m	1200 lx	1050 lx
	2.0m	300 lx	260 lx
Total Luminous Flux (typ.)		1300 lm	
Rated Voltage		24V DC (Polarized)	
Operating Voltage Range		24V DC ±10%	
Rated Current Consumption		522 mA ±10%	
Rated Power Consumption		12.5 W	
Operating Ambient Temperature		-40°C to +60°C	
Operating Ambient Humidity		Less than 90% (No condensation)	
Main Unit Material		Body : Stainless Steel Lens : Tempered Glass	Body : Stainless Steel Lens : Acrylic Resin + PET Film + Tempered Glass
Mounting Location		Indoor	
Mounting Direction		All Directions	
Protection Rating		IP66G/67G (JIS C0920) / 69K (DIN 40050 part9)	
Environmental Condition		With the Recommended cables connected (Except Cable Terminal)	
Insulation Resistance		More than 5MΩ at 500VDC between live part and non-current carrying metallic part	
Withstand Voltage		500V AC applied for 1min between live part and non-current carrying metallic part without breaking insulation	
Vibration Resistance		19.6 m/s ² (JIS C 0911-1984)	
Mass (Tolerance ±10%)		1490 g	1450 g
Outer Dimensions		Refer to the Outer Dimension Drawing	
Conformity Standards		EMC Directive (EN 55015, EN 61000-6-2) RoHS Directive (EN 50581)	
Remarks	<ul style="list-style-type: none"> • Conforms to the CE requirements • Specifications may change without notice due to continual product improvement. • Due to the inherent properties of the LED, color variations and hue may occur. • This product's illuminance may be affected when used in airtight conditions. • When using the Optional Daisy link Cable, a voltage drop may occur due to the current consumption. • Model Number Configuration <div style="text-align: center; margin: 10px 0;"> CLK3 -24S -CD </div> <div style="display: flex; justify-content: space-around; align-items: flex-start;"> <div style="text-align: center;"> </div> <div style="font-size: small;"> <ul style="list-style-type: none"> ● Luminous Color CD : Daylight ● Main Unit Material SG : Body: Stainless Steel Lens: Tempered Glass SA : Body: Stainless Steel Lens: Acrylic Resin ● Connector Specifications CL : M12 Daisy Link </div> </div>		



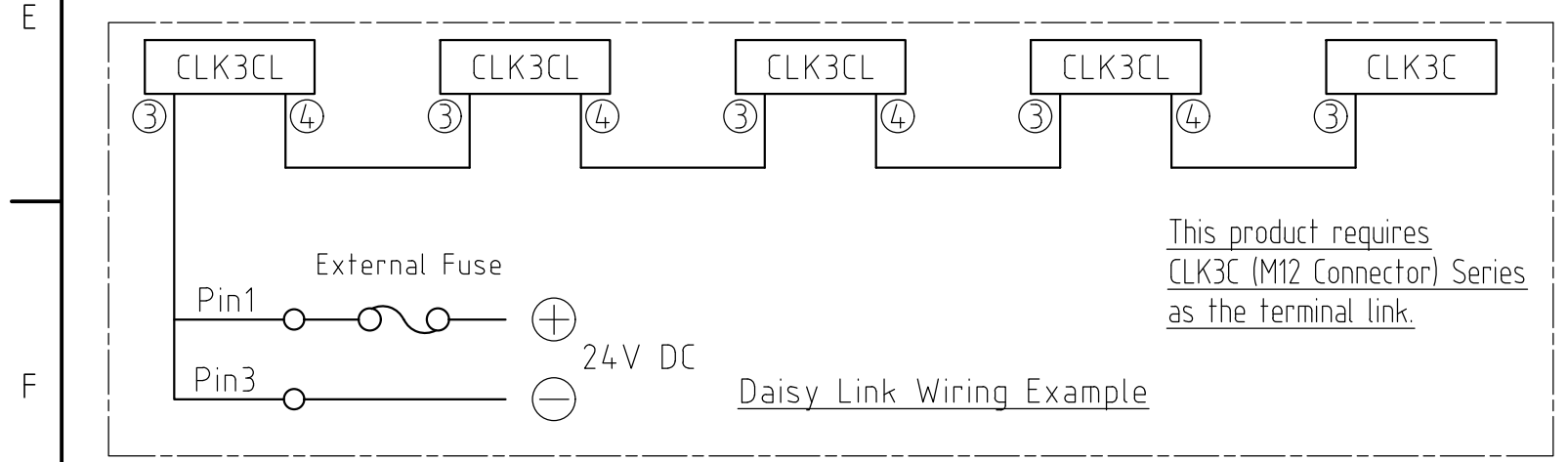
Note

1. For wiring, it is recommended to use the Recommended Cable.

2. When linking together, be sure to use it within the maximum number of links.

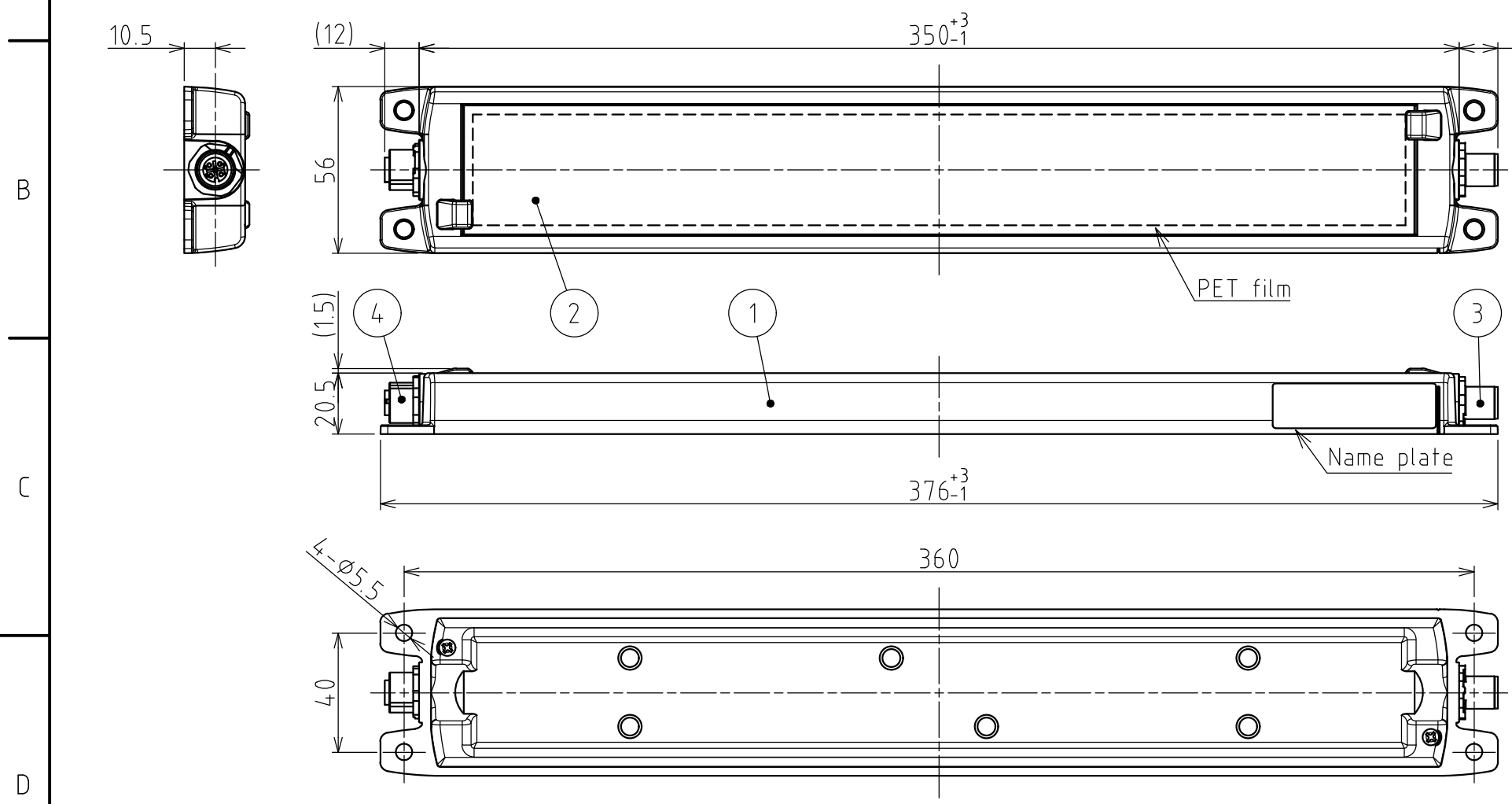
Maximum Connections:5 units
[Breakdown]
Daisy Links(3CL Series):4 units+ Terminal Link (3C Series):1unit

Recommended Cable	Order No.	Model	Manufacturer
4-wire M12 SUS Socket Cable, 5m length	1454082	SAC-4P-5,0-28X/M12FS OD	Phoenix Contact Corp.
4-wire M12 SUS Link Cable, 2m length	1454105	SAC-4P-M12MS/2,0-28X/M12FS OD	Phoenix Contact Corp.



番号 No.	部品名 Part Name	数量 Qty.	記事 Remarks
4	M12 Socket	1	
3	M12 Plug	1	
2	Glass (Lens)	1	Tempered Glass
1	Body	1	Stainless (SUS316 equivalent)

機種 Model	CLK3CL-24SG	特注 No. S.P.No.	-	図名 Name	Outer Dimensions Drawing
品目コード Part No.	-	尺度 Scale	-	三角法 3rd Angle P.	単位 Unit mm
		株式会社 PATLITE Corporation			



Note

1. For wiring, it is recommended to use the Recommended Cable.

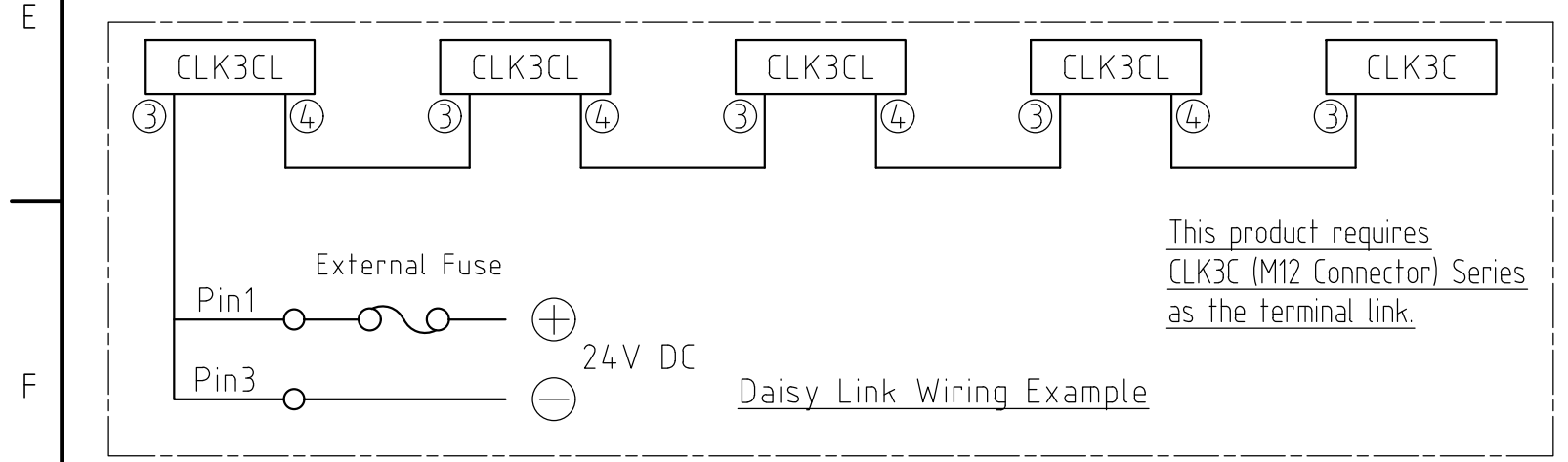
2. When linking together, be sure to use it within the maximum number of links.

Maximum Connections:5 units

[Breakdown]

Daisy Links(3CL Series):4 units+ Terminal Link (3C Series):1unit

Recommended Cable	Order No.	Model	Manufacturer
4-wire M12 SUS Socket Cable, 5m length	1454082	SAC-4P-5,0-28X/M12FS OD	Phoenix Contact Corp.
4-wire M12 SUS Link Cable, 2m length	1454105	SAC-4P-M12MS/2,0-28X/M12FS OD	Phoenix Contact Corp.



番号 No.	部品名 Part Name	数量 Qty.	記事 Remarks
4	M12 Socket	1	
3	M12 Plug	1	
2	Acrylic (Lens)	1	Acrylic + PET Film + Tempered Glass
1	Body	1	Stainless (SUS316 equivalent)

機種 Model	CLK3CL-24SA	特注No. S.P.No.	-	図名 Name	Outer Dimensions Drawing
品目コード Part No.	-	尺度 Scale	-	三角法 3rd Angle P.	単位 Unit mm
		株式会社 PATLITE Corporation		Ver.2.2 A3	